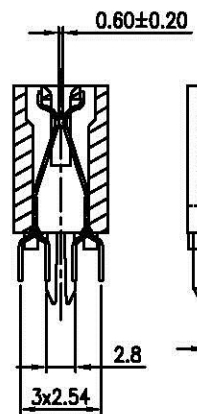
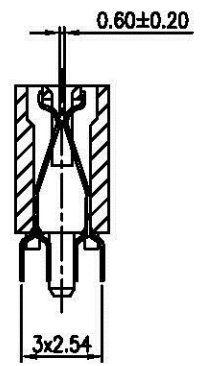
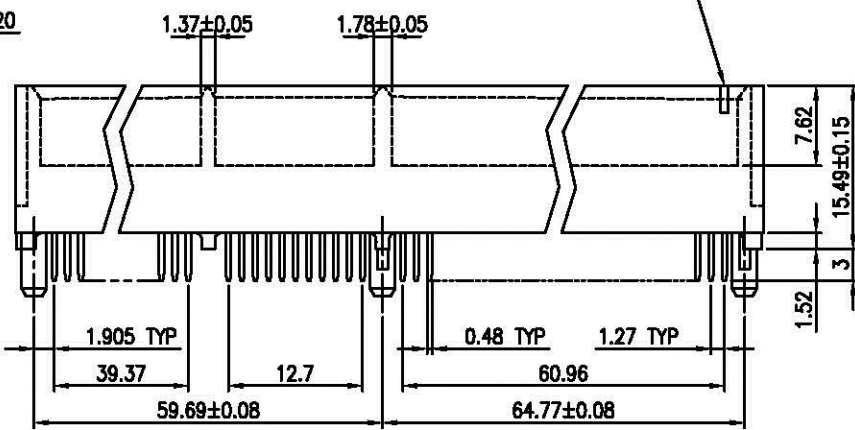


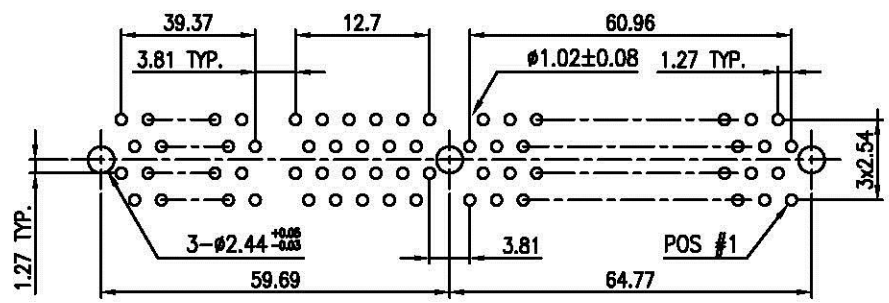
POS #1 INDICATOR



METAL CLIP



PLASTIC POST



MATERIAL

INSULATOR: GLASS-REINFORCED THERMOPLASTIC,
UL94V-0 RATED.
CONTACT: COPPER ALLOY.
PLATING: MATING AREA- GOLD,
SOLDER AREA- TIN/LEAD.

ELECTRICAL

VOLTAGE RATING: 250 VAC RMS.
CURRENT RATING: 3 AMP.
INSULATION RESISTANCE: 1,000 MEGOHMS MIN.
CONTACT RESISTANCE: 30 MILLIOHMS MAX.

MECHANICAL

CONTACT RETENTION: 460 GRAMS MIN PER CONTACT.
INSERTION FORCE: 230 GRAMS MAX PER CONTACT PAIR.
WITHDRAWAL FORCE: 15 GRAMS MIN PER CONTACT PAIR

ENVIRONMENTAL

TEMPERATURE RANGE: -55° TO +85°.

PCI-D-184V5-LF
LEADFREE

RoHS Compliant

Allconnectors

www.allconnectors.de info@allconnectors.de
Tel.: 0049 711 7009502 Fax: 0049 711 7009504
70794 Filzschmitt Germany Kottenerstr. 25

PART NO. PCI-D-184V5

DWG NO. PCI-D-184V5

FILE NO.

UNIT / mm

SCALE 1:1

CHECKED BY CY

DRAWING BY

PROJECTION

TOLERANCES ARE

.X ± 0.2
.XX ±
.XXX ±
AWG

DESCRIPTION:

64 BIT PCI CARDEDGE, 5.0V	
AREA	REVISIONS
HK	DATE